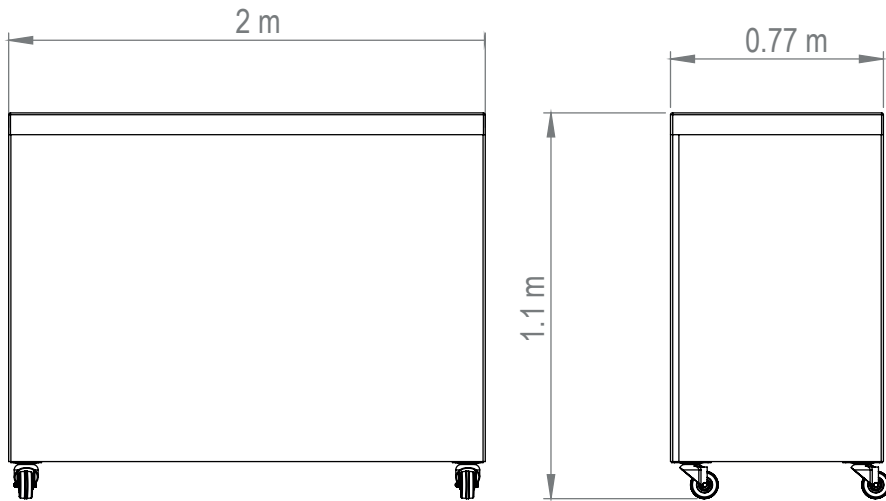


SPECIFICATIONS

WEIGHT:

65 kg



Product features:

- Made of stainless steel; engraved in diamonds and segments, with polished cover or mirror finish and one or two drawers.