

MAIN SPECIFICATIONS

Production capability	Gas consumption	Weight
100 kg	2.5 kg p/hr 220,000 BTU/hr	41.5 kg
200 kg	3.5 kg p/hr 240,000 BTU/hr	52.5 kg
300 kg	4.5 kg p/hr 280,000 BTU/hr	61 kg
500 kg	5 kg p/hr 300,000 BTU/hr	97.5 kg

Main Features:

- Stainless steel
- Fiber glass drum
- Optional lid
- Available in 100 kg, 200 kg, 300 kg and 400 kg size
- Custom designs available



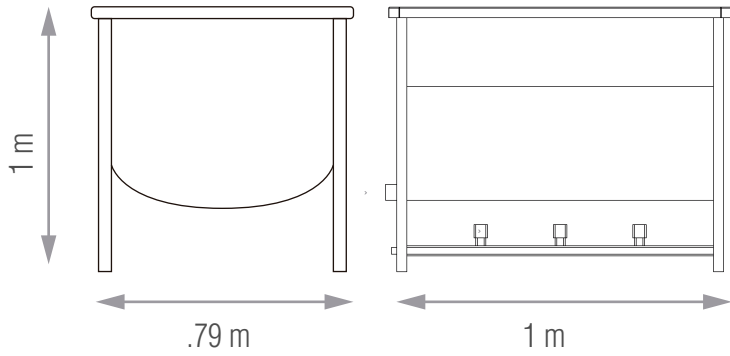
COMPONENTS:

Cooker • Burners Stainless Steel Housing

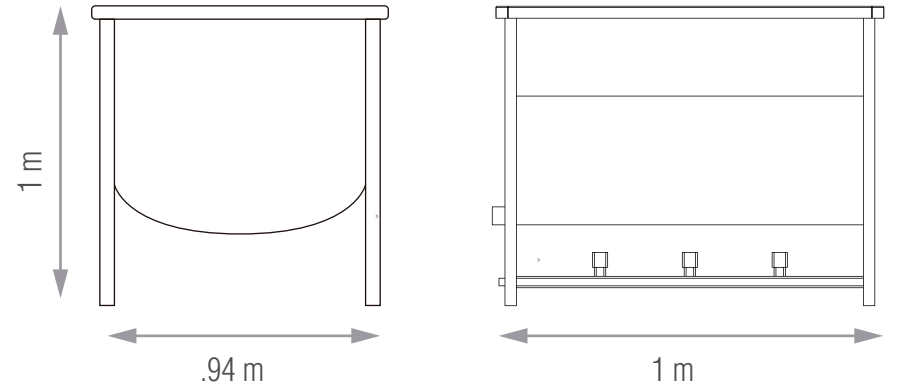
Product features:

- Excellent cooking process
- Easy general maintenance
- Space saving

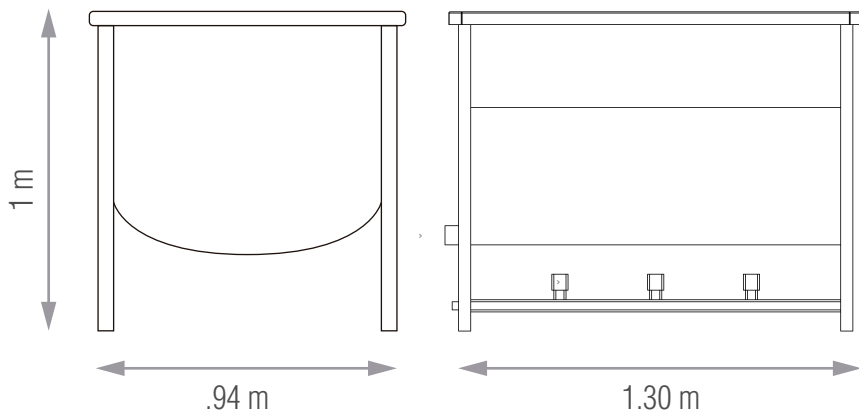
100 kg



200 kg



300 kg



500 kg

