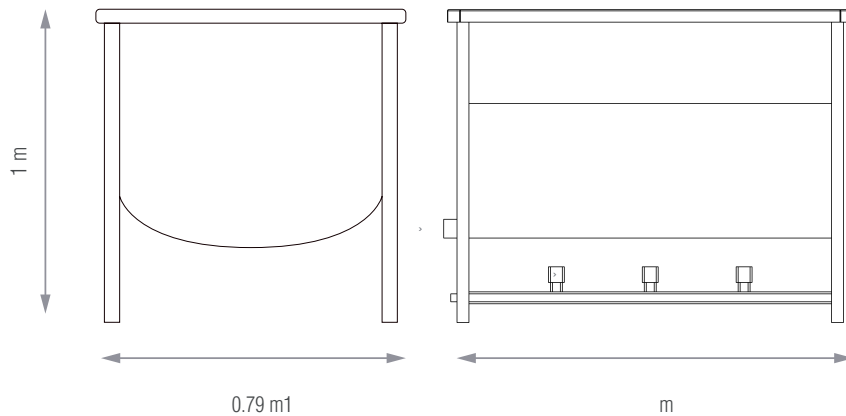


## SPECIFICATIONS

PRODUCTION	GAS CONSUMPTION	WEIGHT
100 kg	2.5 kg p/hour	41.5 kg



## COMPONENTS:

- Tub
- Burners

### Main Features:

- Manufactured with a stainless steel sheet angle frame. Half round with or without gate, with or without fiberglass and stainless steel drum.
- In line capacities from 100 to 500 or customized.

### Product Features:

- Excellent cooking
- Best quality product
- Saves space