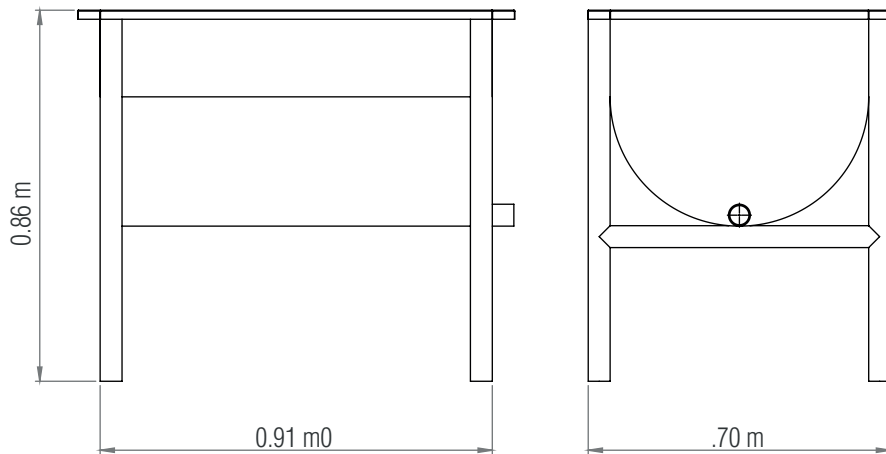


SPECIFICATIONS

WEIGHT:

38.5 kg



Main Features:

- Cabinet for rinsing nixtamal, lined in stainless steel, equipped with a sloped tub and drain; 70kg capacity. Custom manufacturing.



COMPONENTS:

- Tub
- Drain