

## SPECIFICATIONS

PRODUCTION	POWER SUPPLY	WEIGHT	HEIGHT-WIDTH-LENGTH
25 kg	1 HP 0.746 kW/h 110/220 VCA Single/Two phase 60 Hz	74 kg	93.8 m   81.4 m   82.2 m
50 kg	2 HP 1.492 kW/h 110/220 VCA Single/Two phase 60 Hz	101.5 kg	1.03 m   1.03 m   1.07 m

### Características principales:

- Made with angle frame, in stainless steel sheet. Half-round with or without gate, with or without fiberglass and stainless steel drum.

### Características del producto:

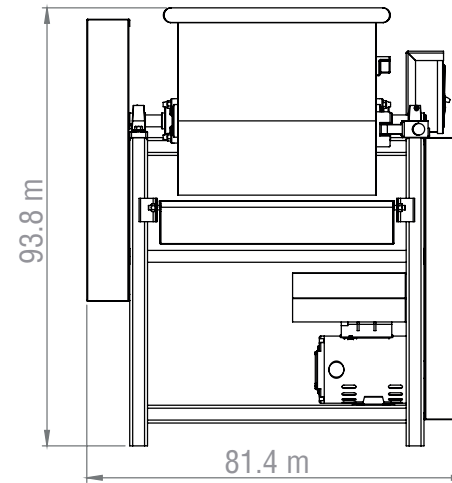
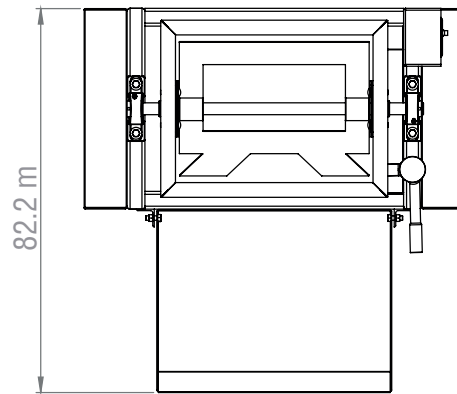
- Easy maintenance
- Saves space



## COMPONENTS:

- Tub
- Paddles
- Arrow
- Tray

**25 kg**



**50 kg**

