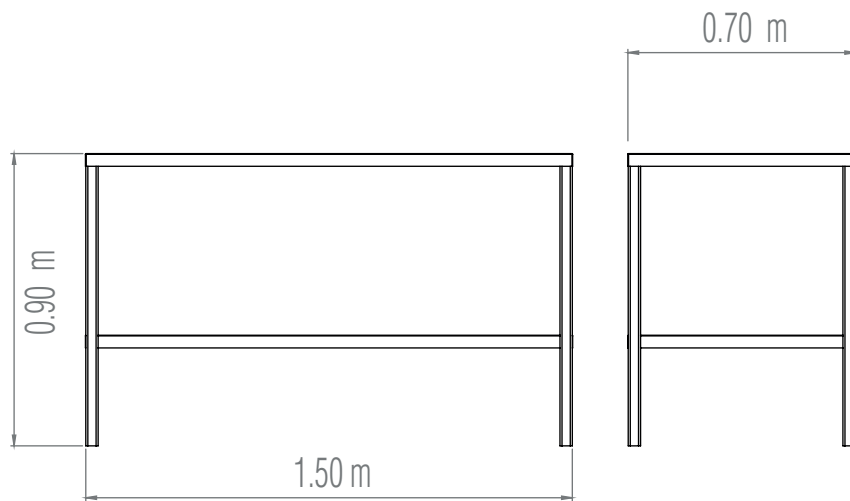


## SPECIFICATIONS

**WEIGHT:**

42 kg



### Main features:

- Stainless steel
- To place corn dough and flour

### Product features:

- High quality manufacturing
- High resistance
- Hygienic surfaces



## COMPONENTS:

- Shelf