



# 6 PADDLES MIXER

OPERATION'S MANUAL



The total or partial reproduction of this manual is prohibited by any means, whether printed or electronic; without the prior, express and written authorization of the author.

# 6 PADDLES MIXER

OPERATION'S MANUAL

---

**INDEX**

GENERAL SAFETY INSTRUCTIONS..... 4  
CAUTION..... 5  
ELECTRICAL INSTALLATION ..... 6  
ELECTRICAL CIRCUIT ..... 7  
COMPONENTS ..... 8  
OPERATING INSTRUCTIONS..... 9  
CLEANING AND MAINTENANCE ..... 11

## GENERAL SAFETY INSTRUCTIONS

**WARNING:** To reduce the risk of injury, read all instructions properly.

Failure to follow the instructions listed below can cause electric shock, fire, serious injuries, mutilation and/or damage to the equipment.

### A. SAFETY IN THE WORK AREA.

- \* Keep the work area clean and lit. Crowded or dark areas lead to accidents.
- \* Keep children, customers, and non-company personnel away from the electrical and mechanical operation area of the equipment.
- \* It is recommended to have a minimum space of one meter or three feet around the machine for safety measure and to optimize work.

### B. ELECTRICAL SAFETY.

- \* Machinery connections must be adapted to the power outlets.
- \* Do not use adapters for the switches: since you run the risk of receiving an electric shock.
- \* Do not expose the switches and/or electrical connections to rain or humidity. If water enters these elements, there is a risk that they will break down or suffer an electric shock.
- \* Use cable in a single piece, if there are joints in the connections these can produce a short circuit.
- \* Do not expose cables or electrical connections to heat, oil, sharp edges, or moving parts, as damaged cables can cause electric shock or short circuit.

### C. PERSONAL SAFETY.

- \* Do not operate the equipment if you are tired, under the influence of alcohol or drugs.
- \* Wear appropriate clothing, do not wear loose clothing, or necklaces, earrings, watches, if you have long hair wear a tie to keep it up.
- \* Do not climb on the structure of the machine for any reason, falls or injuries may occur.
- \* Avoid using headphones, cell phones or any other equipment that works as a distraction to the operator.
- \* Make correct use of personal protective equipment if any maintenance is to be carried out on the machine.
- \* If any change is made to the model or component of the equipment, be it electrical or mechanical related, it must be de-energized and stop the machine completely to avoid accidents.
- \* Keep limbs away from all moving parts.

# 6 PADDLES MIXER OPERATION'S MANUAL

---

## CAUTION

The following symbols indicate the safety measures that must be taken before and after starting up the equipment.



**CRUSHING HAZARD** Keep hands away from the mixer paddles.



**ELECTRICAL RISK** In which you can suffer electric shocks, if you do not comply with the electrical safety provisions.



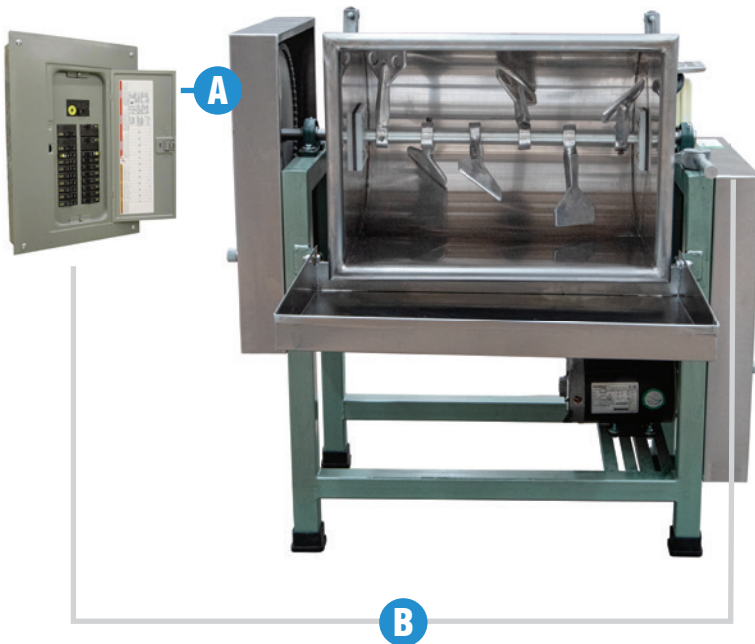
**GEAR RISK** Keep your hands away from the chains and gears of the machine.

# 6 PADDLES MIXER

OPERATION'S MANUAL

## ELECTRICAL INSTALLATION

Verify that the electrical connection is 110v or 220v. Inspect that there are no short circuits, no loose or bare wires. Ensure that all cables are isolated and without contact, check contactors and switches in good condition. It is recommended to use a 12 gauge cable for the installation.

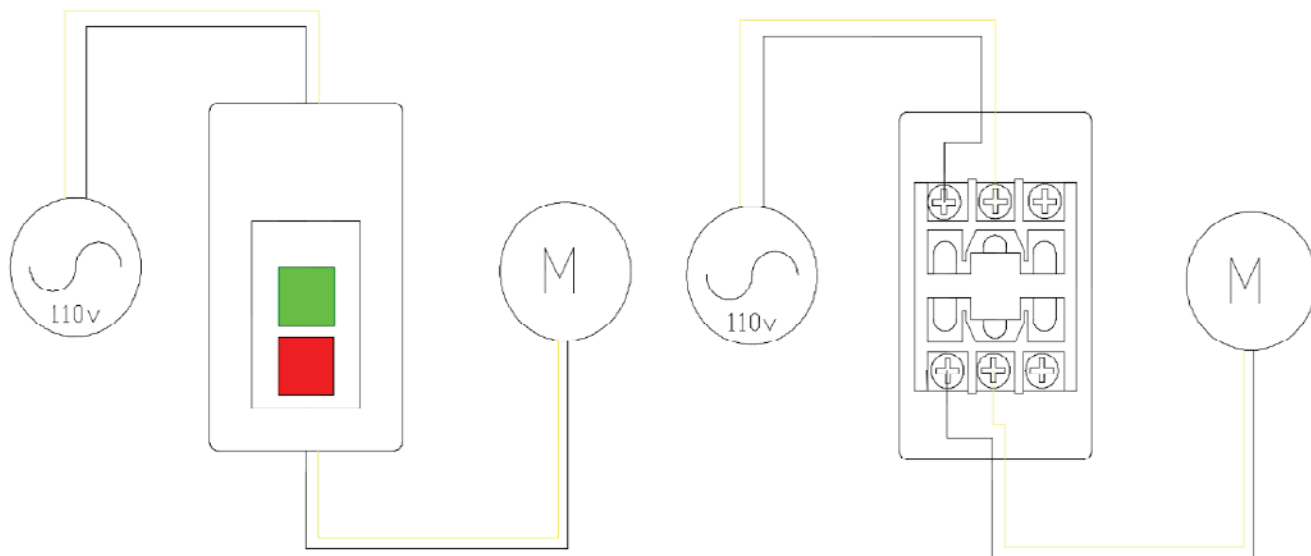


ELECTRICAL INSTALLATION	
<b>A</b>	110v or 220v electrical installation (according to the case)
<b>B</b>	12 gauge cable (conduit cable)

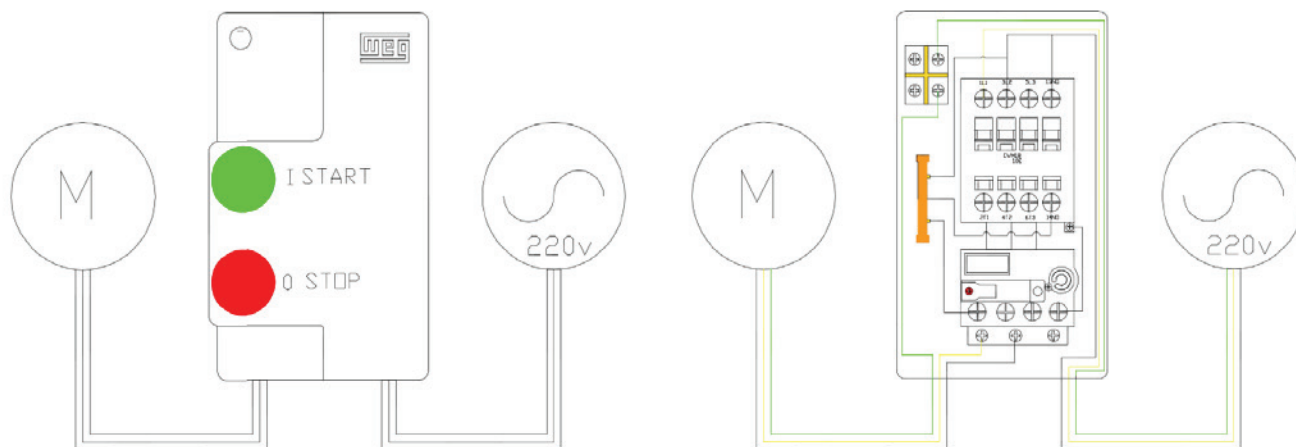
# 6 PADDLES MIXER OPERATION'S MANUAL

## ELECTRICAL CIRCUIT

### 110V MIXER

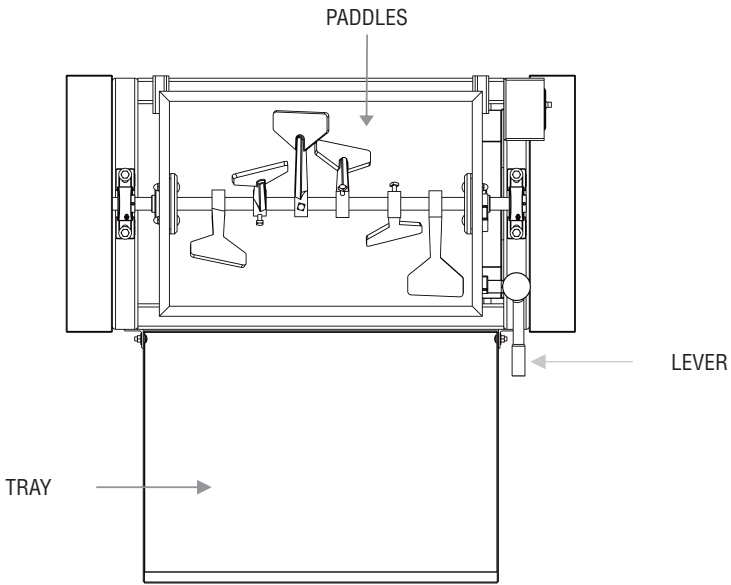
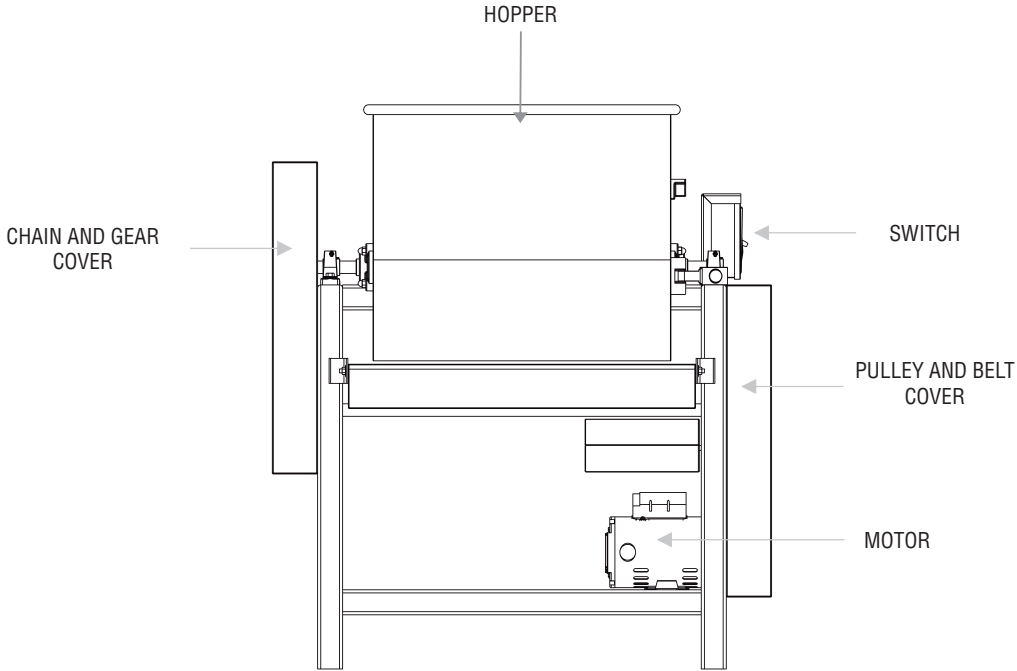


### 220V MIXER



# 6 PADDLES MIXER OPERATION'S MANUAL

## COMPONENTS





# 6 PADDLES MIXER OPERATION'S MANUAL



1

Connect the mixer cable to a 110v or 220v outlet.



2

With the equipment turned off add water and flour according to the amount of dough you require



3

Turn on the equipment (on button)



4

Let mix until you get the desired dough consistency



5

Turn off the equipment (off button)



6

Turn the lever to the right to release the hopper.

# 6 PADDLES MIXER OPERATION'S MANUAL



**7** Lower the tray and tilt the hopper.



**8** Turn the lever again to secure the hopper.



**9** Turn the machine back on so that the dough comes out by itself.



**10** Turn off the equipment and remove the dough



**11** At the end of the day, wash taking care not to leave residues inside the hopper.

# 6 PADDLES MIXER

OPERATION'S MANUAL

## CLEANING PROCEDURE

**WARNING:** The mixer must be cleaned with the machine at a complete stop and de-energized to avoid accidents such as crushing.

## MIXER CLEANING

- 1) Remove the dough residue from the blades with a cloth with the machine at a complete stop.
- 2) Spread a little water inside the mixer pot.
- 3) Clean the inside of the mixer pot with a cloth.

## MAINTENANCE

Clean the machine before and after using it.

The duration of the spare parts will depend on the preventive maintenance and care taken to the machine. The more frequently this maintenance is done, the parts will have a longer life.

## LUBRICATION

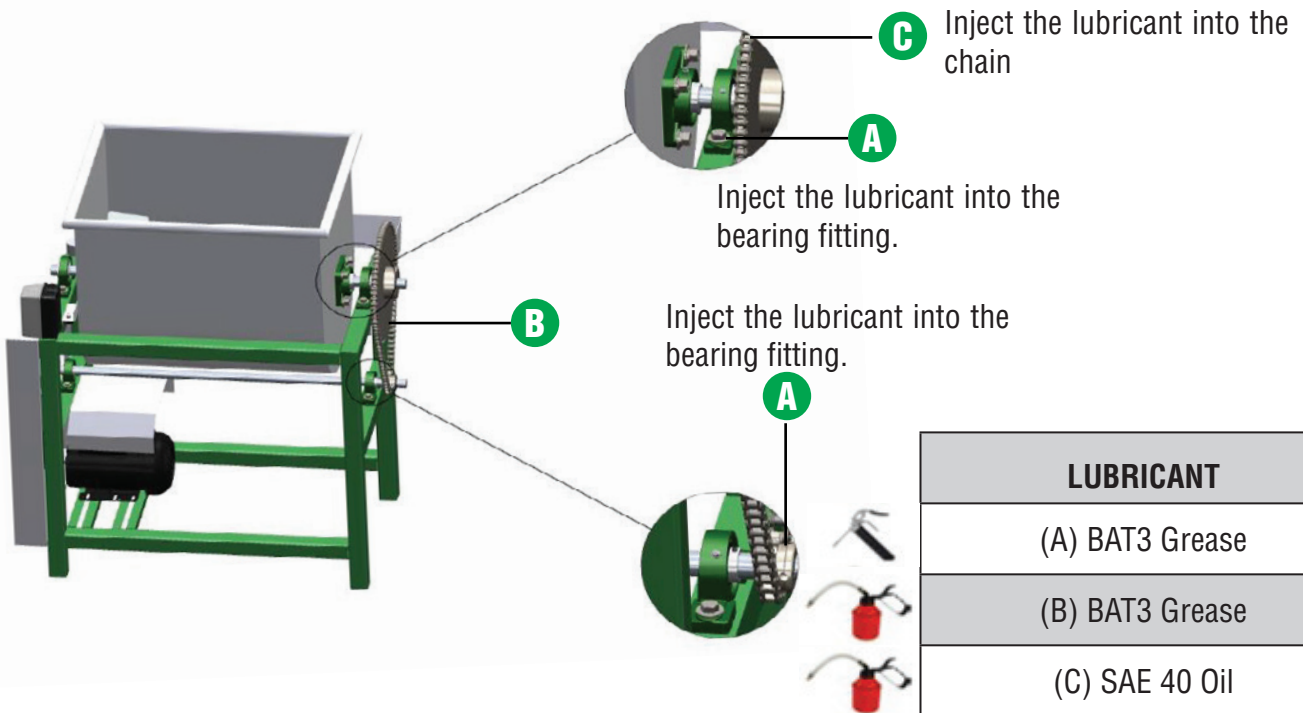
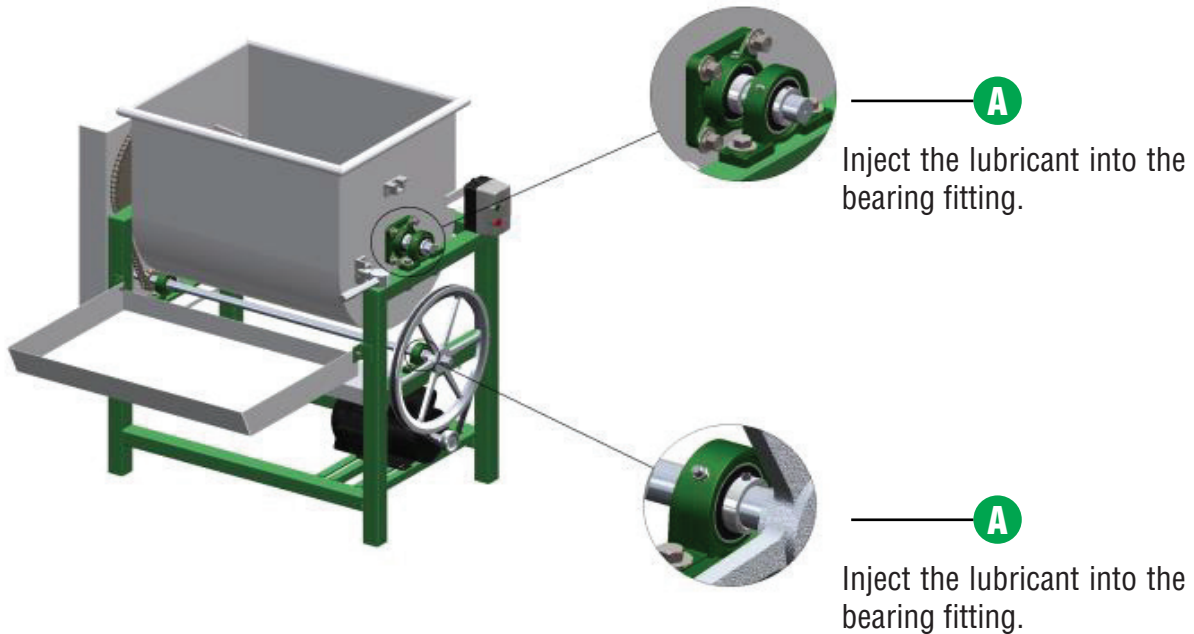
The following table shows the parts, the type of lubricant, and the frequency with which the machines and their parts must be lubricated.

<b>PART</b>	<b>LUBRICANT</b>	<b>PERIOD</b>
Chain	SAE 40 Oil	3 times per week
Bearings	BAT3 Grease	Every 3 days
Gears	BAT3 Grease	Every week

# 6 PADDLES MIXER

OPERATION'S MANUAL

The following figures show the schematic location of the parts that require lubrication.





## **HEADQUARTERS**

AV. INDUSTRIAS #3665, ZONA INDUSTRIAL  
CP 78395 SAN LUIS POTOSÍ, SLP. MÉXICO



444 127 11 80



444 129 29 79

[info@manufacturaslenin.mx](mailto:info@manufacturaslenin.mx)

[MEXICANTORTILLAMACHINE.COM](http://MEXICANTORTILLAMACHINE.COM)