



# AUTOMATIC DOUGH ROUNDER

OPERATION'S MANUAL



The total or partial reproduction of this manual is prohibited by any means, whether printed or electronic; without the prior, express and written authorization of the author.

# **AUTOMATIC DOUGH ROUNDER**

OPERATION'S MANUAL

---

**INDEX**

GENERAL SAFETY INSTRUCTIONS..... 4  
CAUTION..... 5  
ELECTRICAL INSTALLATION..... 6  
COMPONENTS..... 7  
OPERATING INSTRUCTIONS..... 8  
CLEANING AND MAINTENANCE..... 9

## GENERAL SAFETY INSTRUCTIONS

**WARNING:** To reduce the risk of injury, read all instructions properly.

Failure to follow the instructions listed below can cause electric shock, fire, serious injuries, mutilation and/or damage to the equipment.

### A. SAFETY IN THE WORK AREA.

- \* Keep the work area clean and lit. Crowded or dark areas lead to accidents.
- \* Keep children, customers, and non-company personnel away from the electrical and mechanical operation area of the equipment.
- \* It is recommended to have a minimum space of one meter or three feet around the machine for safety measure and to optimize work.

### B. ELECTRICAL SAFETY.

- \* Machinery connections must be adapted to the power outlets.
- \* Do not use adapters for the switches: since you run the risk of receiving an electric shock.
- \* Do not expose the switches and/or electrical connections to rain or humidity. If water enters these elements, there is a risk that they will break down or suffer an electric shock.
- \* Use cable in a single piece, if there are joints in the connections these can produce a short circuit.
- \* Do not expose cables or electrical connections to heat, oil, sharp edges, or moving parts, as damaged cables can cause electric shock or short circuit.

### C. PERSONAL SAFETY.

- \* Do not operate the equipment if you are tired, under the influence of alcohol or drugs.
- \* Wear appropriate clothing, do not wear loose clothing, or necklaces, earrings, watches, if you have long hair wear a tie to keep it up.
- \* Do not climb on the structure of the machine for any reason, falls or injuries may occur.
- \* Avoid using headphones, cell phones or any other equipment that works as a distraction to the operator.
- \* Make correct use of personal protective equipment if any maintenance is to be carried out on the machine.
- \* If any change is made to the model or component of the equipment, be it electrical or mechanical related, it must be de-energized and stop the machine completely to avoid accidents.
- \* Keep limbs away from all moving parts.

## CAUTION

The following symbols indicate the safety measures that must be taken before and after starting up the equipment.



**ELECTRICAL RISK** In which you can suffer electric shocks, if you do not comply with the electrical safety provisions.



**GEAR RISK** Keep your hands away from the chains and gears of the machine.

# AUTOMATIC DOUGH ROUNDER

OPERATION'S MANUAL

## ELECTRICAL INSTALLATION

Verify that the electrical connection is 220v. Inspect that there are no short circuits, no loose or bare wires. Ensure that all cables are isolated and without contact, check contactors and switches in good condition. It is recommended to use a 12 gauge cable for the installation.

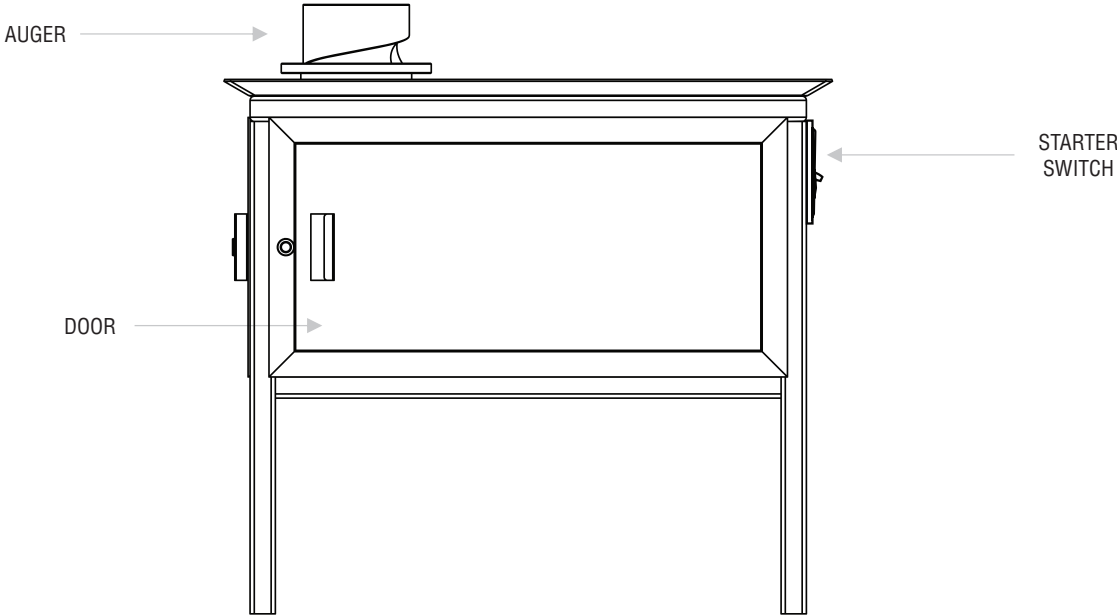
ELECTRICAL INSTALLATION	
<b>A</b>	220v electrical installation
<b>B</b>	12 gauge cable (conduit cable)



# AUTOMATIC DOUGH ROUNDER

OPERATION'S MANUAL

## COMPONENTS



# AUTOMATIC DOUGH ROUNDER

OPERATION'S MANUAL



**1** | Connect equipment to a 110 volt outlet.



**2** | Check that the PVC pipe is correctly assembled.



**3** | Turn on the equipment.



# AUTOMATIC DOUGH ROUNDER

OPERATION'S MANUAL

## CLEANING PROCEDURE

**WARNING:** The cleaning of both the auger and PVC must be carried out with the machine in total stop to avoid accidents such as bruises or cuts.

- 1) Wash the auger and PVC with the help of a green fiber, making sure to remove all flour residue.
- 2) Dry with the help of a cloth, making sure to remove moisture, in order to prevent fungal growth.

## MAINTENANCE

Clean the machine before and after using it.

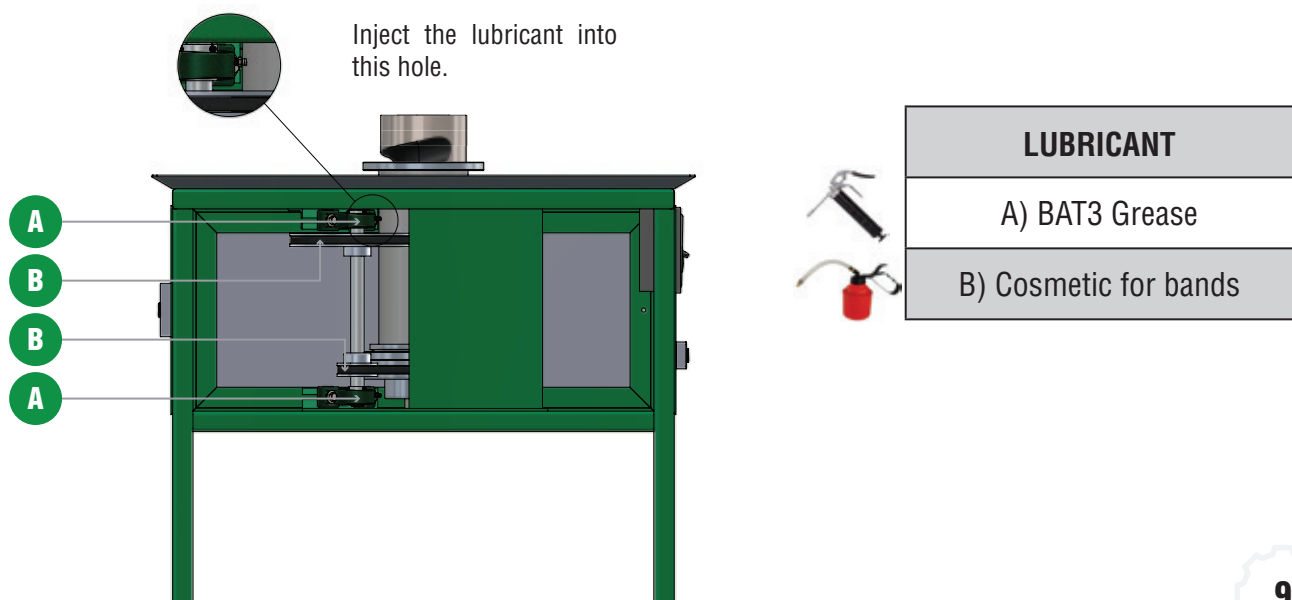
The duration of the spare parts will depend on the preventive maintenance and care taken to the machine. The more frequently this maintenance is done, the parts will have a longer life.

## LUBRICATION

The following table shows the parts, the type of lubricant, and the frequency with which the machines and their parts must be lubricated.

PART	LUBRICANT	PERIOD
Bearings	BAT3 Grease	Every 3 days
Bands	spray cosmetic	Every 3 days

The following figures show the schematic location of the parts that require lubrication.





## **HEADQUARTERS**

AV. INDUSTRIAS #3665, ZONA INDUSTRIAL  
CP 78395 SAN LUIS POTOSÍ, SLP. MÉXICO



444 127 11 80



444 129 29 79

[info@manufacturaslenin.mx](mailto:info@manufacturaslenin.mx)

[MEXICANTORTILLAMACHINE.COM](http://MEXICANTORTILLAMACHINE.COM)